

NOTES:

FOR ADDITIONAL INFORMATION ON GUARD RAIL, SEE STD. PLAN GR-200.
 ALL WORK AND MATERIALS REQ'D. TO INSTALL GUARD RAIL ON THE STRUCTURE SHALL BE PAID FOR UNDER ITEM 704-01-01020
 ANY DAMAGE DONE TO THE STRUCTURE DURING CONSTRUCTION NOT RELATED TO THE WORK REQUIRED SHALL BE REPAIRED AT THE CONTRACTORS EXPENSE AND TO THE SATISFACTION OF THE PROJECT ENGINEER.
 ALL HOLES (VERTICAL OR HORIZONTAL) DRILLED INTO AN EXISTING CONCRETE STRUCTURE SHALL BE CLEANED WITH COMPRESSED AIR AND MADE FREE OF ANY OIL OR RESIDUE. HOLES SHALL BE FILLED WITH INJECTION SYSTEM AS LISTED ON APPROVED MATERIALS LIST, PRODUCT CATEGORY "CONCRETE ANCHOR SYSTEMS." PLACE ROD IN HOLE IMMEDIATELY AND WAIT FOR THE MANUFACTURERS CURE TIME.
 NOMINAL POST SPACING ON THIS SPAN IS 8'-9" (ORIGINAL DESIGN). NEW POST ARE REQUIRED AND SHALL BE INSTALLED AS SHOWN. GUARD RAIL SPLICES SHALL BE MADE AT POST LOCATIONS ONLY. THE POST LOCATED ON THE FLARED BRIDGE END SHALL BE INSTALLED AS SHOWN. IF A FLARED END DOES NOT EXIST A NORMAL 6" X 8" TIMBER POST OR A APPROVED ALTERNATE SHALL BE USED.

* NOTE: (AT END SPAN POST LOCATION ONLY) THE INTERIOR BOLT SHALL BE AS SHOWN. THE OUTER BOLT NEARER TO END JOINT) SHALL BE DRILLED IN THE SAME MANNER AS THE FRONT ANCHOR BOLTS.

ALL STRUCTURAL STEEL SHALL BE ASTM A36 AND GALVANIZED.

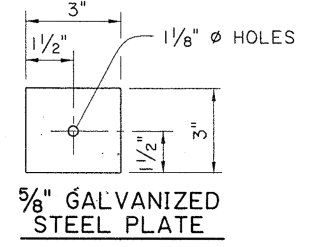
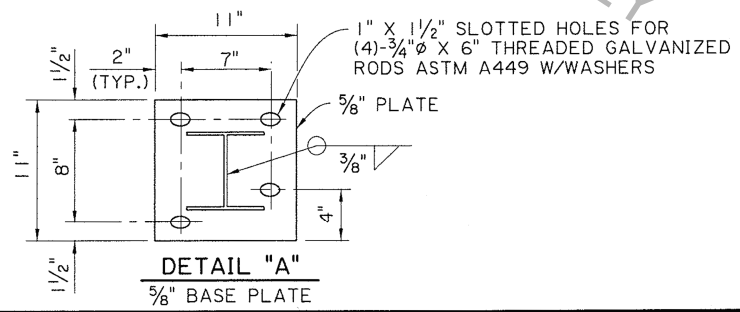
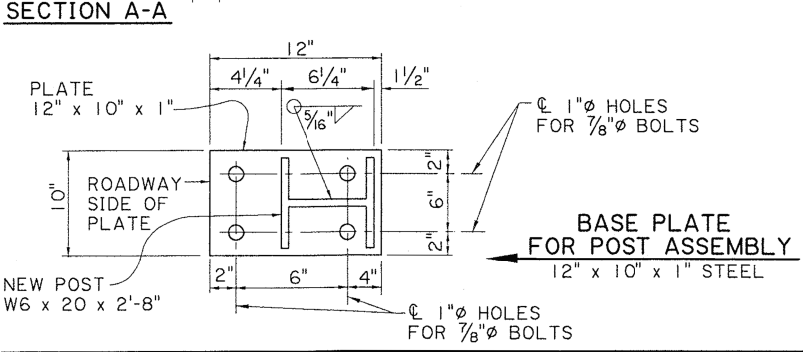
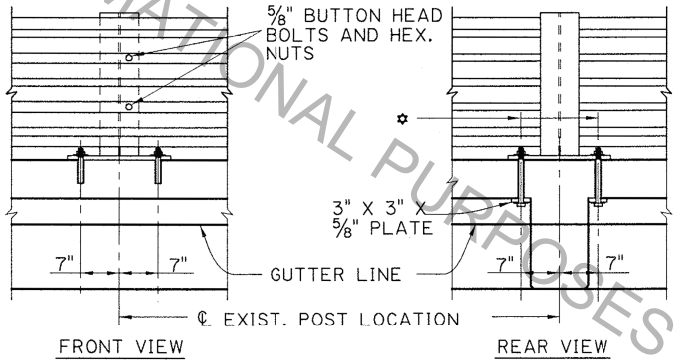
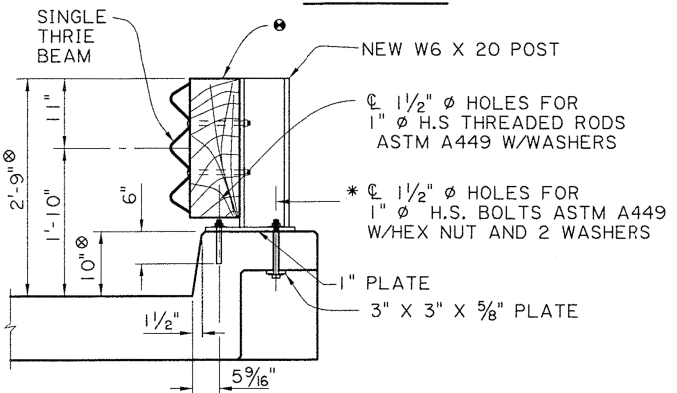
⊗ THE EXISTING POST SHALL BE REMOVED AND NEW POST BE MOUNTED ON THE TOP OF THE STRUCTURE AS SHOWN AND AT THE SAME SPACING.

⊗ 6" X 8" X 1'-10" TIMBER BLOCK

* Ⓞ 1/2" ⌀ HOLES FOR 1" ⌀ H.S. BOLTS ASTM A449 W/HEX NUT AND 2 WASHERS

ALL 5/8" ⌀ BOLTS SHALL BE ASTM A307.

⊗ CURB HEIGHT MAY VARY, ADJUST W6x20 POST LENGTH AS NEEDED TO MEET 2'-9" DIMENSION.



BRIDGE AND STRUCTURAL DESIGN		BRIDGE RAIL REHABILITATION (WASKEY BRIDGES)		NO.	DATE	REVISION OR CHANGE ORDER DESCRIPTION	BY	DESIGNED	P. FOSSIER	PARISH		SHEET NUMBER
				STANDARD DETAIL	BD.2.6.4.1.17	4-8-16	GUARDRAIL HEIGHT, ANCHOR BOLT NOTE AND BASE PLATE	P. F.	CHECKED	C. GAUDRY	CONTROL SECTION	
								REVIEWED	K. BRAUNER	STATE PROJECT		